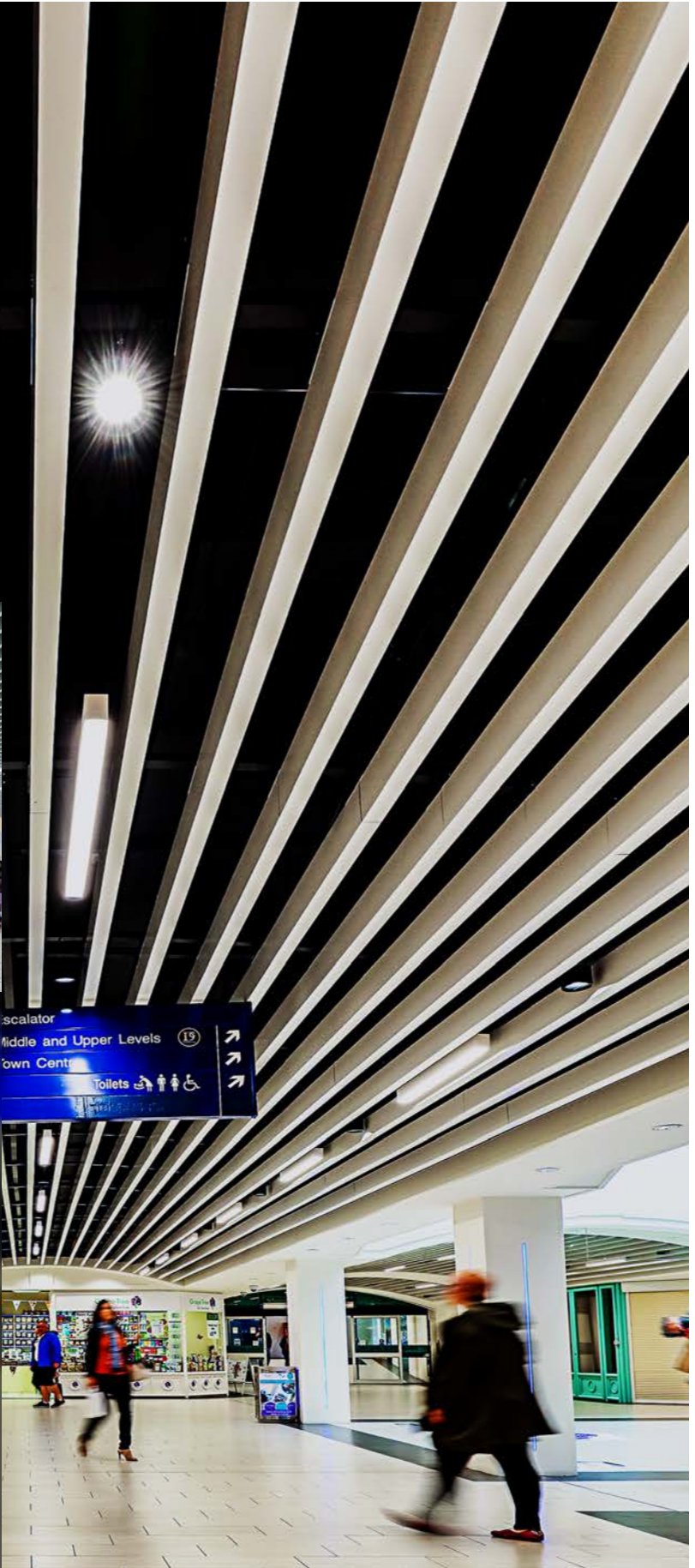
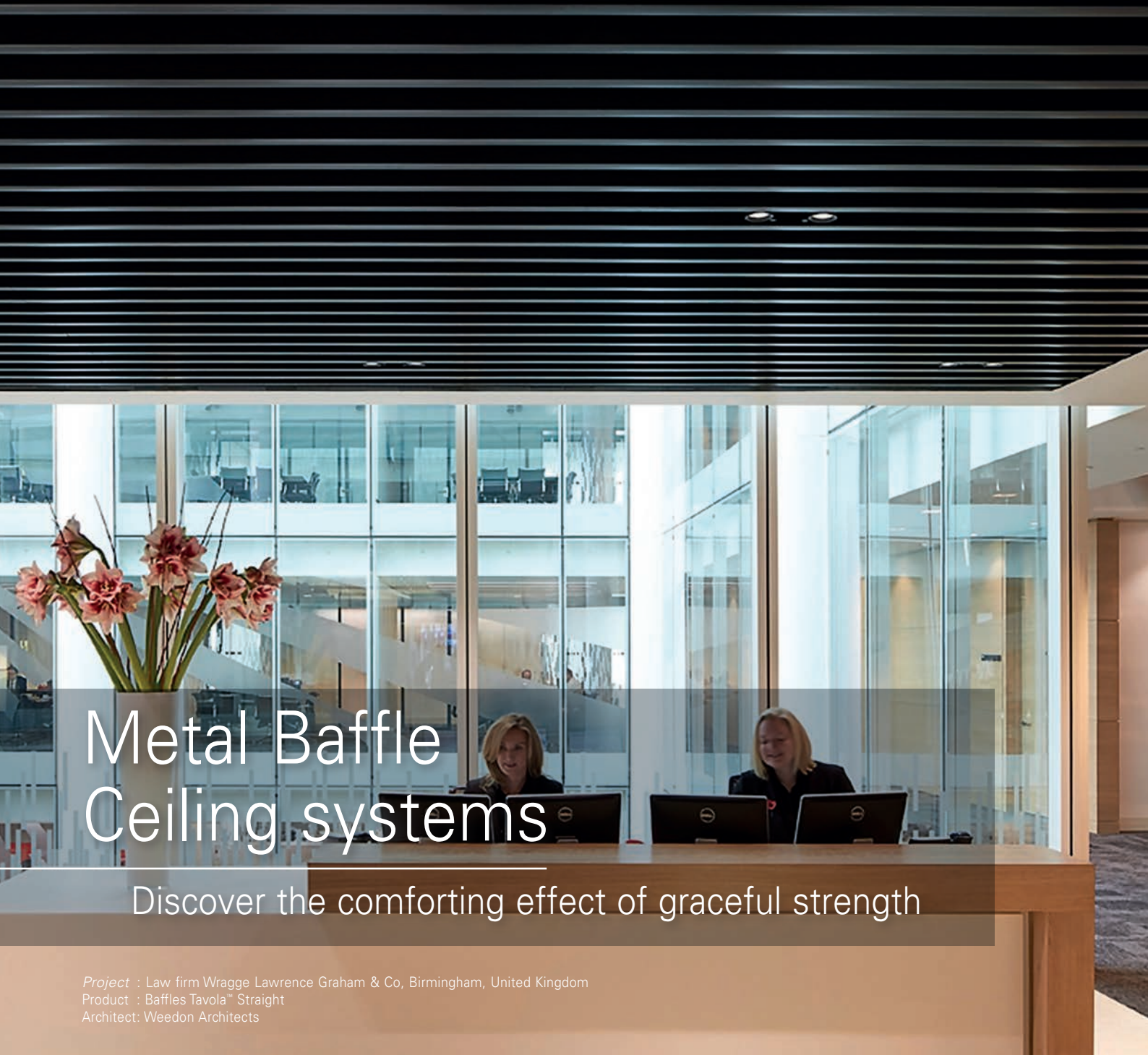


FOCUS ON Metal Baffle Ceiling systems



**A ROBUST CEILING WITH
A GRACEFUL APPEARANCE**





Metal Baffle Ceiling systems

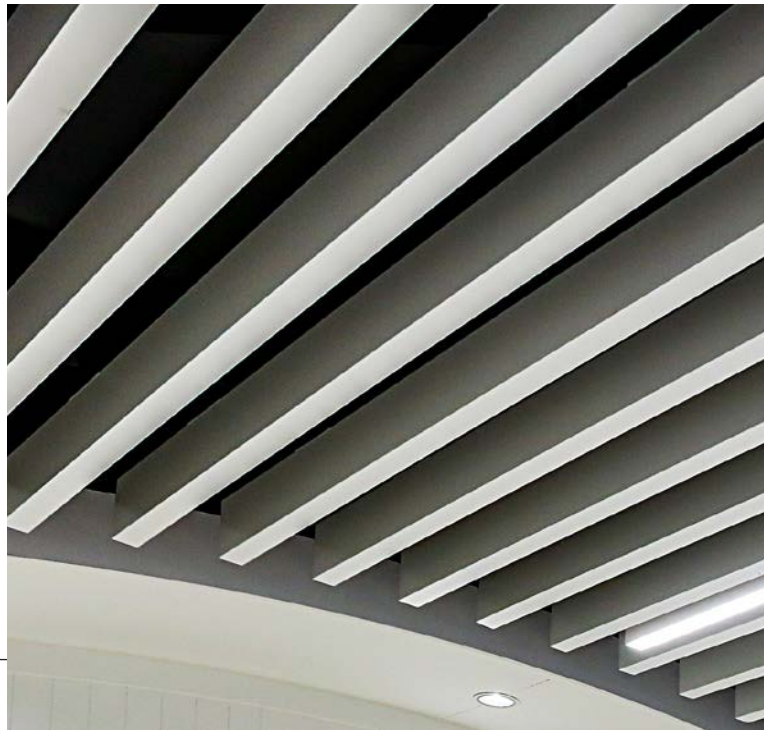
Discover the comforting effect of graceful strength

Project : Law firm Wragge Lawrence Graham & Co, Birmingham, United Kingdom
Product : Baffles Tavola™ Straight
Architect: Weedon Architects

Create atmosphere

Introducing unique Metal Baffle Ceiling systems from Hunter Douglas Architectural. This exciting open ceiling construction features vertical and linear bars that are designed to add grace and poise to a building's interior.

A myriad of options are available that allow designers to create inspirational ceilings with superb acoustic performance. Extra space between the baffles allows for easy access to the plenum and the simple installation of integrated lighting, sprinkler and climate control systems.



A wide range of design options

Our Metal Baffle Ceiling systems are available in a wide range of materials, colours and designs, including wood décor and steel. Straight, meandering or undulating shapes can be produced to create character and atmosphere in a wide range of interior spaces.

The Hunter Douglas Metal Baffle Ceiling systems ensures a perfect linear appearance with excellent acoustic performance. Our Baffle Ceilings are particularly suitable for use in areas where acoustic performance is critical such as schools, libraries, indoor sporting arena, public lounges and transport hubs.

The benefits of a Metal Baffle Ceiling system

Visual and acoustic comfort in one robust Ceiling System.

- Endless design options
- Can be customised to your needs
- Open space for integrated technology
- Easy installation with standard carriers
- Compliant with all safety regulations

CONTENT	Page
Metal Baffle Ceiling systems	2
Tavola™ Straight	4
Tavola™ Levels	5
Tavola™ Divergent	6
Dimensions, colours & key features	7
V100/V200 Baffles (Screens)	8 - 9
Customised Baffles	10
Hunter Douglas Architectural	11

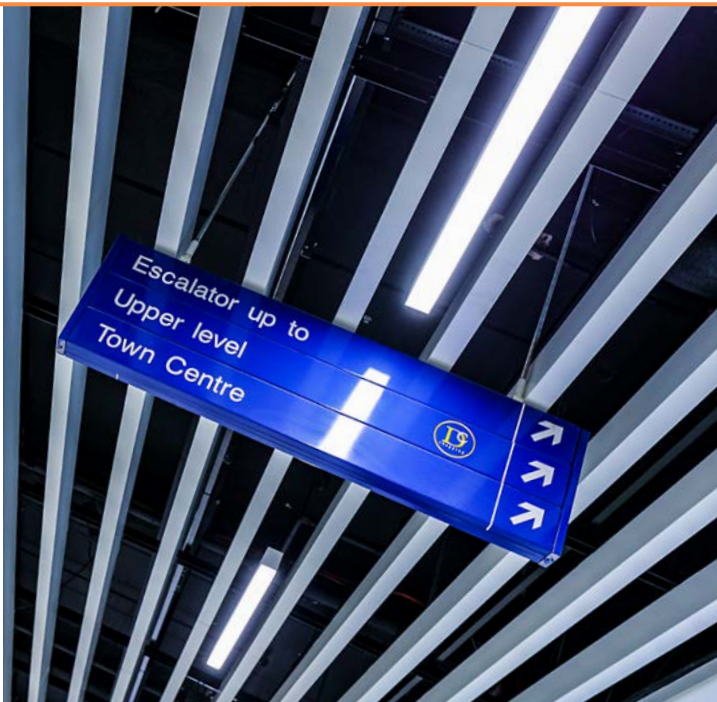


Tavola™ Straight

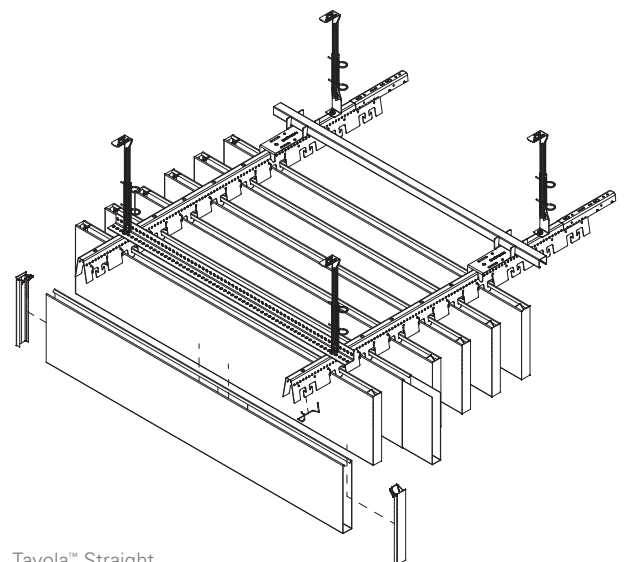
Project : Darwin Centre, Shrewsbury, UK
 Product : Baffles Tavola™ (Straight)
 Architect: Chapman-Taylor

Distinctive looks, improved acoustics

Tavola™ Straight Baffles from Hunter Douglas feature an open ceiling construction that allows a view to the plenum area and concrete ceiling above. They are particularly suited for remedial installation on ceilings where a distinctive design or improvement to the acoustic performance is required. A Baffle is a construction or device that reduces the levels of airborne sound. As a ceiling system they are ideal for mitigating noise pollution and reverberating sound.



System composition



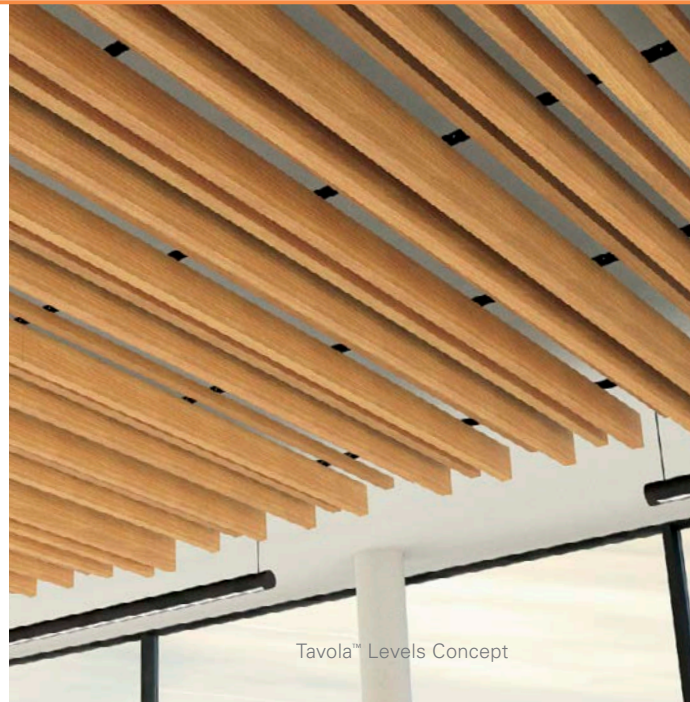
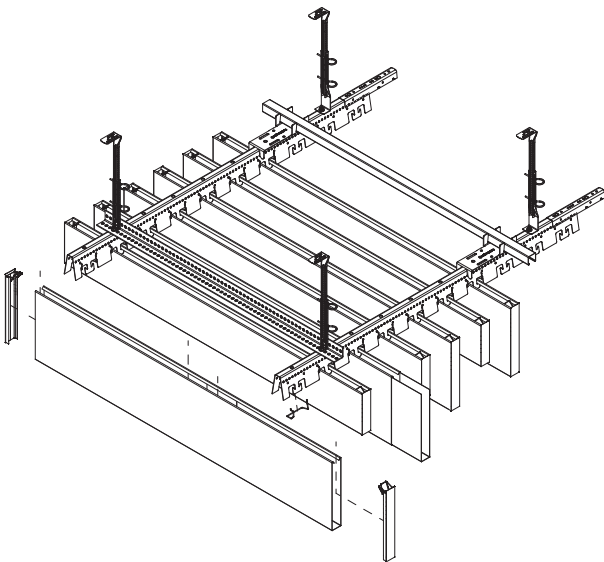
Tavola™ Straight



Create rhythm with height

Hunter Douglas Tavola™ Levels incorporate different baffle heights in one system, allowing the designer to create a unique rhythm or playful landscape to the ceiling surface. The Tavola™ Levels Baffle ceiling system is easy to install with baffles simply clamped to a standard pre-punched carrier.

System composition

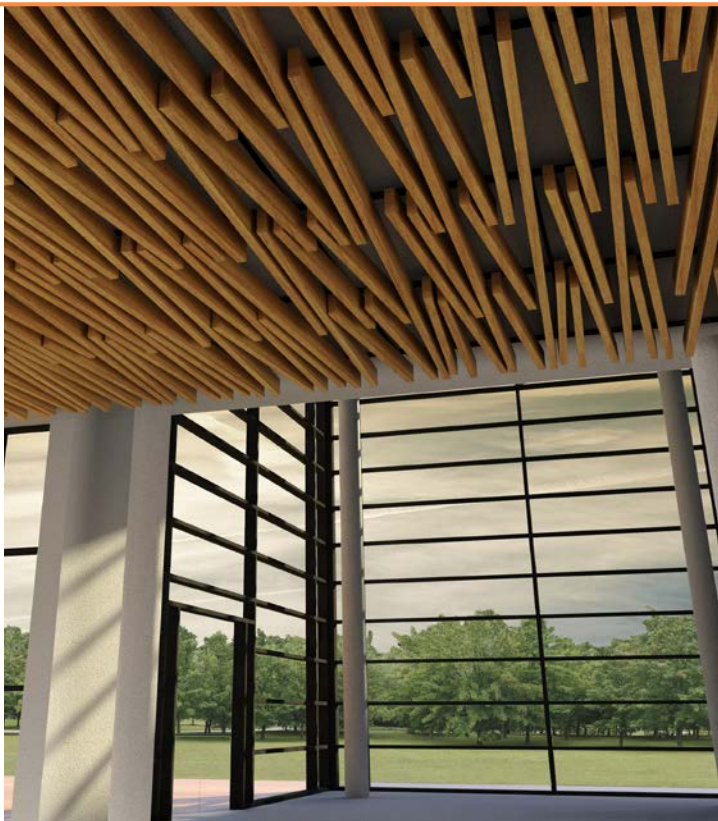




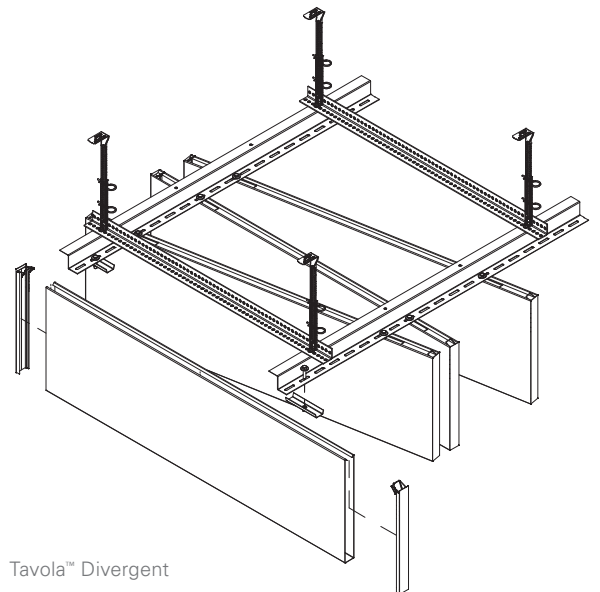
Find symmetry in the atypical

Non-parallel, diverging beams and baffles create organic textures in an unlimited variety of configurations for interior applications. With Divergent Baffles architects can design a ceiling with contemporary movement without the traditional lines.

Below : Tavola™ The Divergent Concept



System composition



Tavola™ Divergent

Left : Booking.com, Orlando, FL, USA
Product : Baffles Tavola™ (Divergent)
Photo : MACBETH PHOTO

Dimensions & Colours

Tavola™ Baffles are easy to install and are available in widths of 20, 30, 40 and 50 mm, heights from 50 to 500 mm and lengths up to 5000 mm.

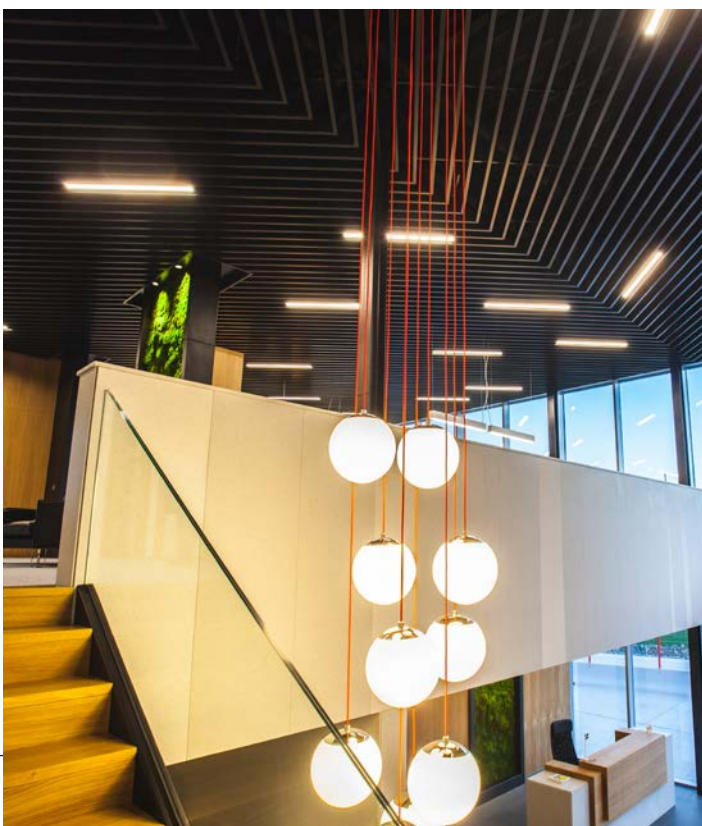
A wide range of finishes are available including wood décor, or aluminum and baffles can be powder coated in a standard colour or on request in any desired RAL colour.

Design elements

Tavola™ Baffles offer best-in-class panels and carrier options that make them ideal for large spaces requiring a one-way plenum mask or specific lighting effects.

Tavola™ Baffle systems from Hunter Douglas provide the architect and designer with an opportunity to create a ceiling in which creativity, beauty, surprise and functionality all come together.

Below : Ecocolor, Jucu, Romania
Product : Baffle Ceiling system
Architect: Cosmin Todor



Above : C&A Europe, Wijnegem, Belgium
Product : Baffle Ceiling system
Architect: Gensler London

Key features

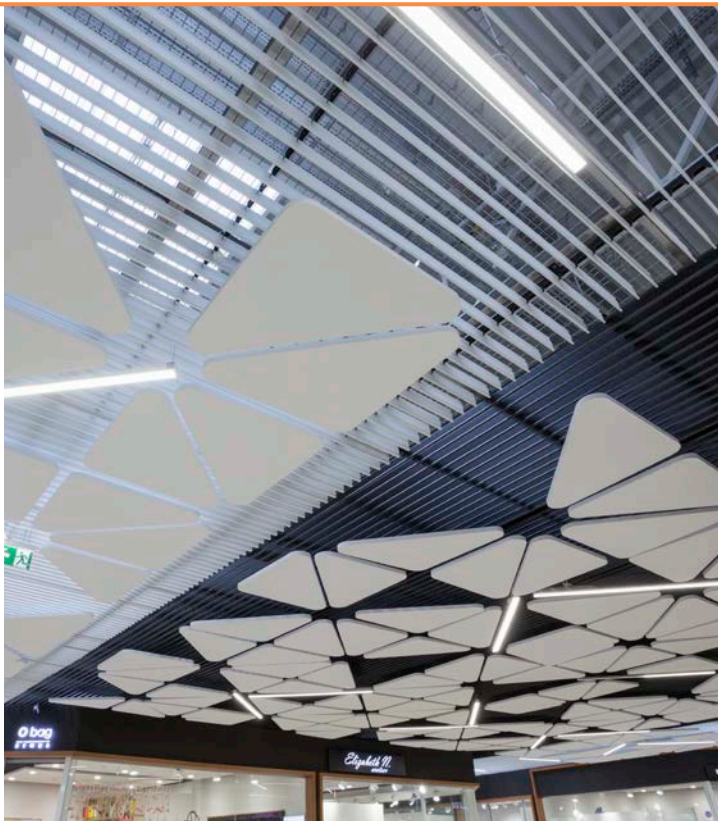
TAVOLA™ STRAIGHT, LEVELS & DIVERGENT

- Profile lengths up to 5000 mm
- Profile heights: 50 - 500 mm
- Profile widths: 20, 30, 40 and 50 mm
- Standard length Straight and Levels carrier 5000 mm
Standard length Divergent carrier 2990 mm
- On site waste reduction with factory fabricated dimensional material
- Downweight: reduce static load with lightweight steel or aluminum
- Standard from pre-painted steel strip
- Easy plenum access.

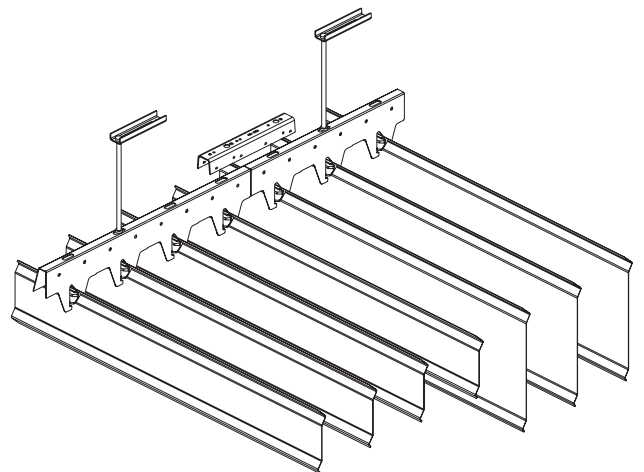


Employ smooth, unique visual patterns and lines

Hunter Douglas Luxalon® V100/V200 Baffles open up new possibilities in directional room design. Consisting of vertically hung, 'floating' panels, V100/V200 employ smooth, open ceilings with unique visual patterns and lines without compromising the sense of a spacious environment. V100/V200 Baffle ceiling masks the plenum while allowing easy access as well as efficient performance of air conditioning, lighting, sprinkler system and is ideal for visually reducing room height while retaining original room volume.



System composition



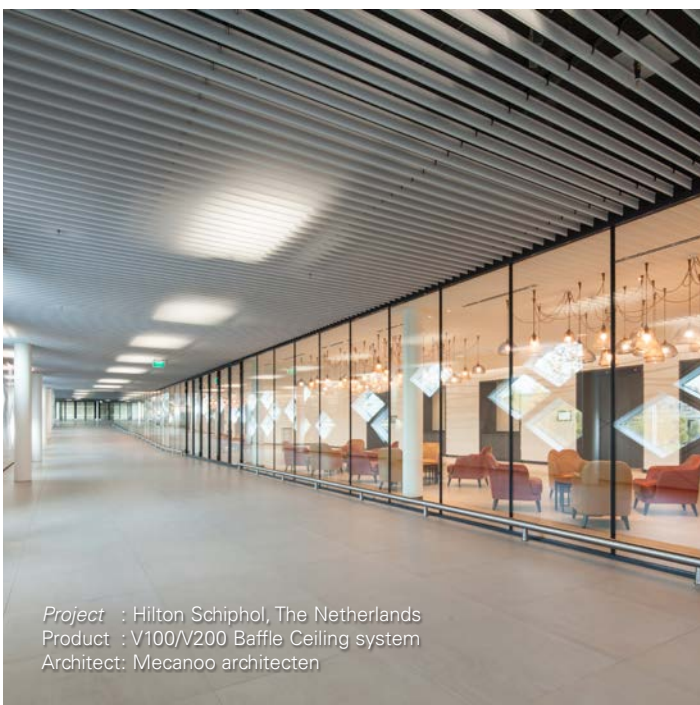
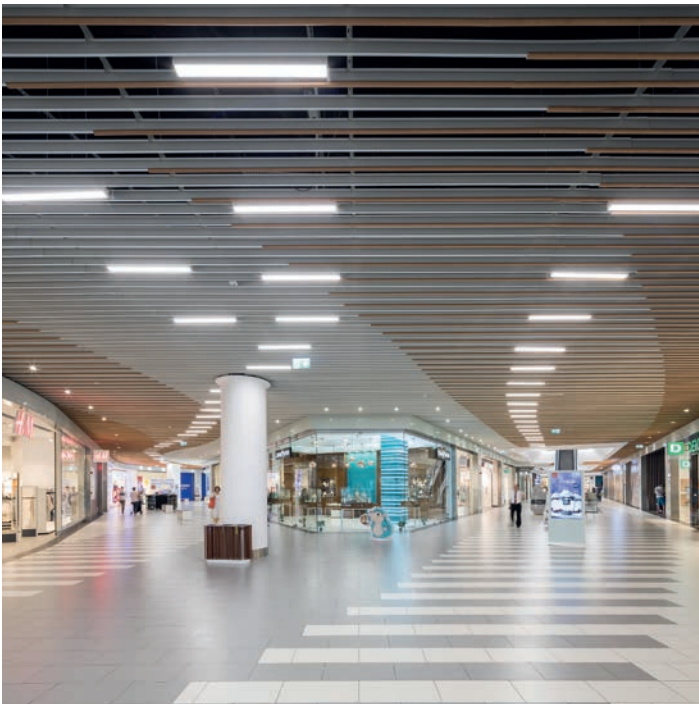
Luxalon® V100/V200 Baffles

Left and left below: Modo shopping mall, Warszawa, Poland
Product : V100/V200 Baffles Ceiling system
Architect: APA Wojciechowski

Dimensions & Colours

Luxalon® V100/V200 Baffles are easy to install and are available in 100 and 200 mm in height with lengths up to 6000 mm.

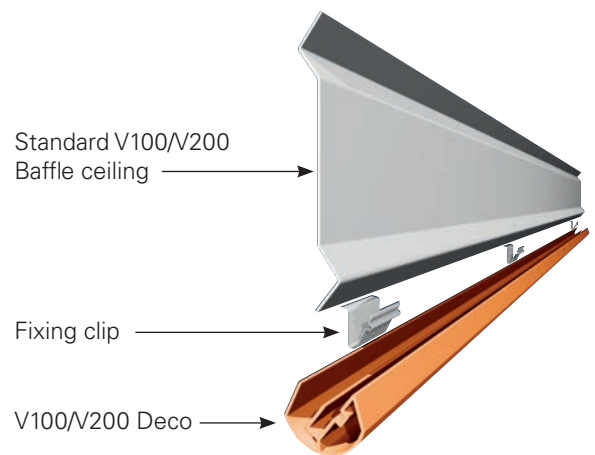
A standard range of finishes is available, also in steel, or on request in any desired RAL or custom colour.



Design elements

Luxalon® V100/V200 can be provided with Deco elements which are wooden or aluminium profiles that open up new design possibilities.

Deco elements are available in stained solid wood, powder-coated or anodized extruded aluminium. These elements are easily fixed to the baffle ceiling. You can use a standard profile design or customize your own.



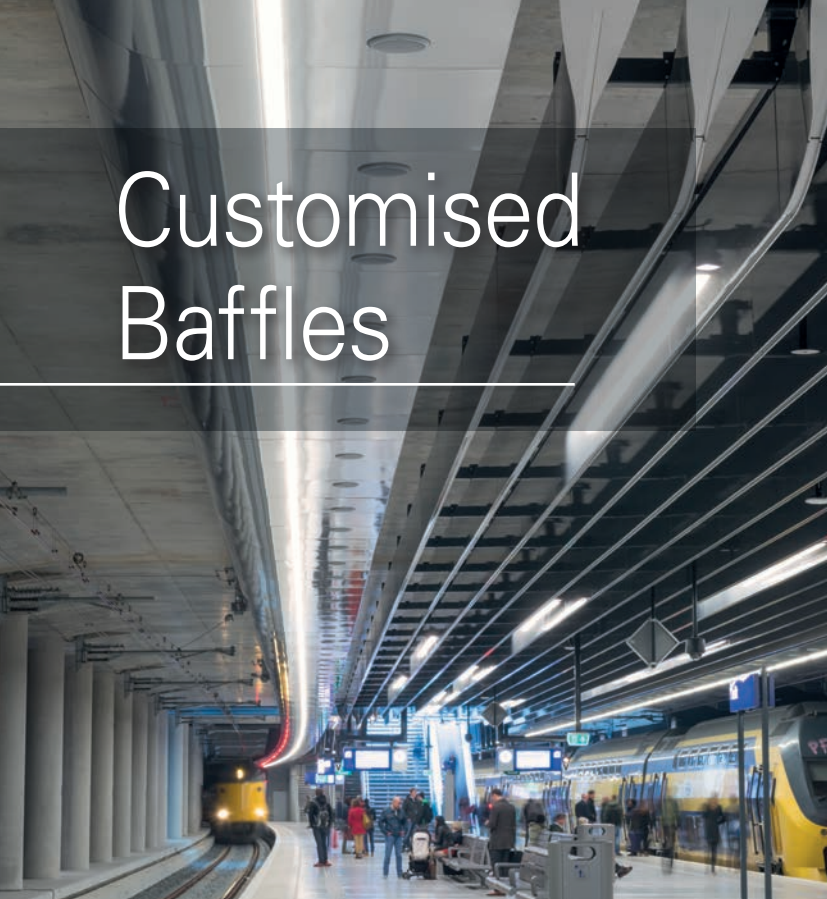
Left : Shopping mall Veranda, Bucharest, Romania
Product : V100/V200 Baffles Ceiling system with Deco elements
Architect: Chapman Taylor Studio 10M

Key features

V100/V200 (DECO)

- Panel length: 800 mm up to 6000 mm
- Panel heights: 100 mm (V100); 200 mm (V200)
- Also available in exterior application (V100 only)
- On site waste reduction with factory fabricated dimensional material
- Easy plenum access
- Compatible with industry standard lighting, HVAC, speaker, fire safety, and security services
- Option of Deco profile clipped to the bottom of the V100/200 panel in extruded aluminium or solid wood.

Customised Baffles



Above : Spoorzone Delft, The Netherlands
Product : Custom Baffle ceiling
Architect : Benthem Crouwel Architects

Bring your ideas to life

Do you have any special requirements or ideas regarding your next ceiling project? At Hunter Douglas Architectural we are more than willing to collaborate with you to engineer a baffle ceiling to your exact specification. Our customised baffles can be manufactured with all kinds of finishes, dimensions, shapes, colours and patterns. Contact your local technical sales representative for more information.

Below : Avery Dennison, Glendale CA, United States
Product : Custom Baffle ceiling
Architect : HOK, Culver City, CA



Physical data

- Substrate: Steel or Aluminium
- Weight: Varies 4.7 - 10.3 kg/m²
- Light reflectance (LR) Coefficient:
 - Varies with finish
 - RAL9010: LR = 0.81
- Acoustic ratings: α_w 0.4 - 0.5 (H)

BIM

- REVIT files available, see website for details.

Fire classification

- Metal ceilings from Hunter Douglas are fully tested for reaction to fire according to EN 13501-1. More information is available on request.

Leed v4 credits

- MR : Building Product Disclosure
- EQ : Low-Emitting Materials
- EQ : Indoor Air Quality Assessment
- EQ : Acoustic Performance

Certifications

- TAIM OS
- French VOC Regulation: Class A
- C2C bronze

For more information visit our website:

www.hunterdouglasarchitectural.eu

HunterDouglas 
Architectural

In the last 60 years, we have been fortunate enough to help turn countless innovative ideas into products for innovative buildings. With major operation centres in Europe, North America, Latin America, Asia and Australia we contribute to thousands of high-profile projects including shopping centres, airports, government offices, hospitals, universities and offices.



▲ CEILINGS



▲ WALLS



▲ SUN LOUVRES



▲ FAÇADES

Architectural services

We support our business partners with a wide range of technical consulting and support services for architects, developers, and installers. We assist architects and developers with recommendations regarding materials, shapes and dimensions, colours and finishes.

We also help creating design proposals, visualisations, and installation drawings. Our services to installers range from providing detailed installation drawings and instructions to training installers and advising on the building site.



Hunter Douglas adopts the cradle to cradle (C2C) product philosophy to the design of products that fit the circular paradigm. They are designed for longevity, using materially healthy technical nutrients that can be reused at end of life as a high-quality source for something new.

Cradle to Cradle Certified™ is a certification mark licensed by the Cradle to Cradle Products Innovation Institute.



Hunter Douglas products and solutions are designed to improve indoor environmental quality and conserve energy, supporting built environments that are comfortable, healthy, productive, and sustainable.



All steel products are 100% recyclable at the end of their lifecycle.



Printed on EU Ecolabel certified paper



All aluminium products are 100% recyclable at the end of their lifecycle.

More information

Contact our **Project Support** for further help and advice on the design possibilities our applications can create.

Call us:
+31 (0)10 - 486 99 11

Send us an e-mail:
info@hunterdouglasarchitectural.eu

Visit our website:
www.hunterdouglasarchitectural.eu

ASIA | AUSTRALIA | LATIN AMERICA | NORTH AMERICA

Austria
Belgium
Bulgaria
Croatia / Slovenia
Czech Republic
Denmark
France

Germany
Greece
Hungary
Israel
Italy
The Netherlands
Norway

Poland
Portugal
Romania
Russia
Serbia
Slovakia
Spain

Sweden
Switzerland
Turkey
United Kingdom
South Africa
Middle East

CEILINGS



WALLS



SUN LOUVRE



FAÇADES



HUNTER DOUGLAS ARCHITECTURAL EUROPE

Piekstraat 2
P.O. Box 5072 - 3008 AB Rotterdam
The Netherlands
T. +31 (0)10 - 486 99 11
info@hunterdouglasarchitectural.eu
www.hunterdouglasarchitectural.eu