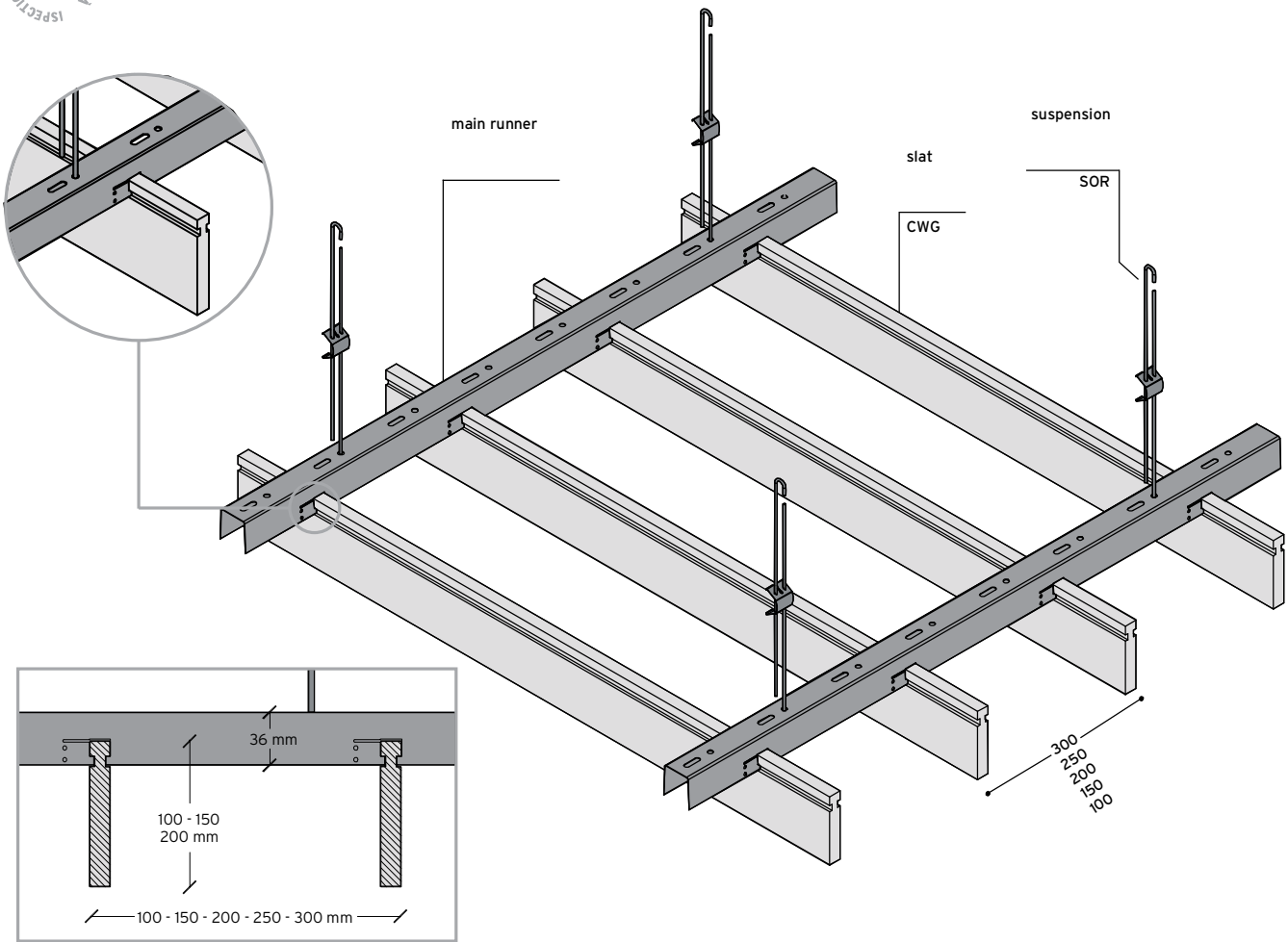
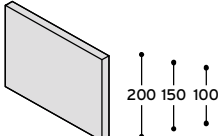
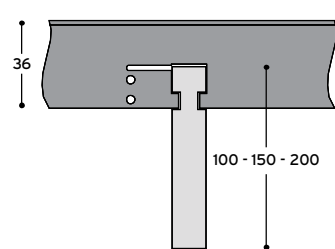
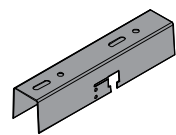
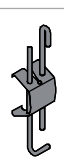


100%
D-ISPESIZIONE
ISPEZIONABILI

WOOD LAMELL



SLAT _ LAMELL		finishing	
CWG	Melamine MDF slat, ABS edge, thickness 14 mm	> cf. finishing	
	size H. 100/150/200mm x L1200/1800 mm		
STRUCTURE		system components	
system detail		system components	
		T 91/N	main runner
			
		size _ dimensioni	incidence
		32x36x3700 mm	1.00 ml/mq
		SOR	suspension
			
		incidence	
		2 pcs/mq	
Technical dates / Aspects of performance value (UNI 13964 - 2005)			
FIRE REACTION (Under structure) Class A1 DM 10/03/05 DEC 2000/147/CE		DURABILITY Protection against corrosion EN 10327	
MECHANICAL RESISTANCE _ (Under structure) (Under structure) 269.5 N/m2 Normal break load/ (Under structure) 107.8 N/m2 Normal operating load/			

